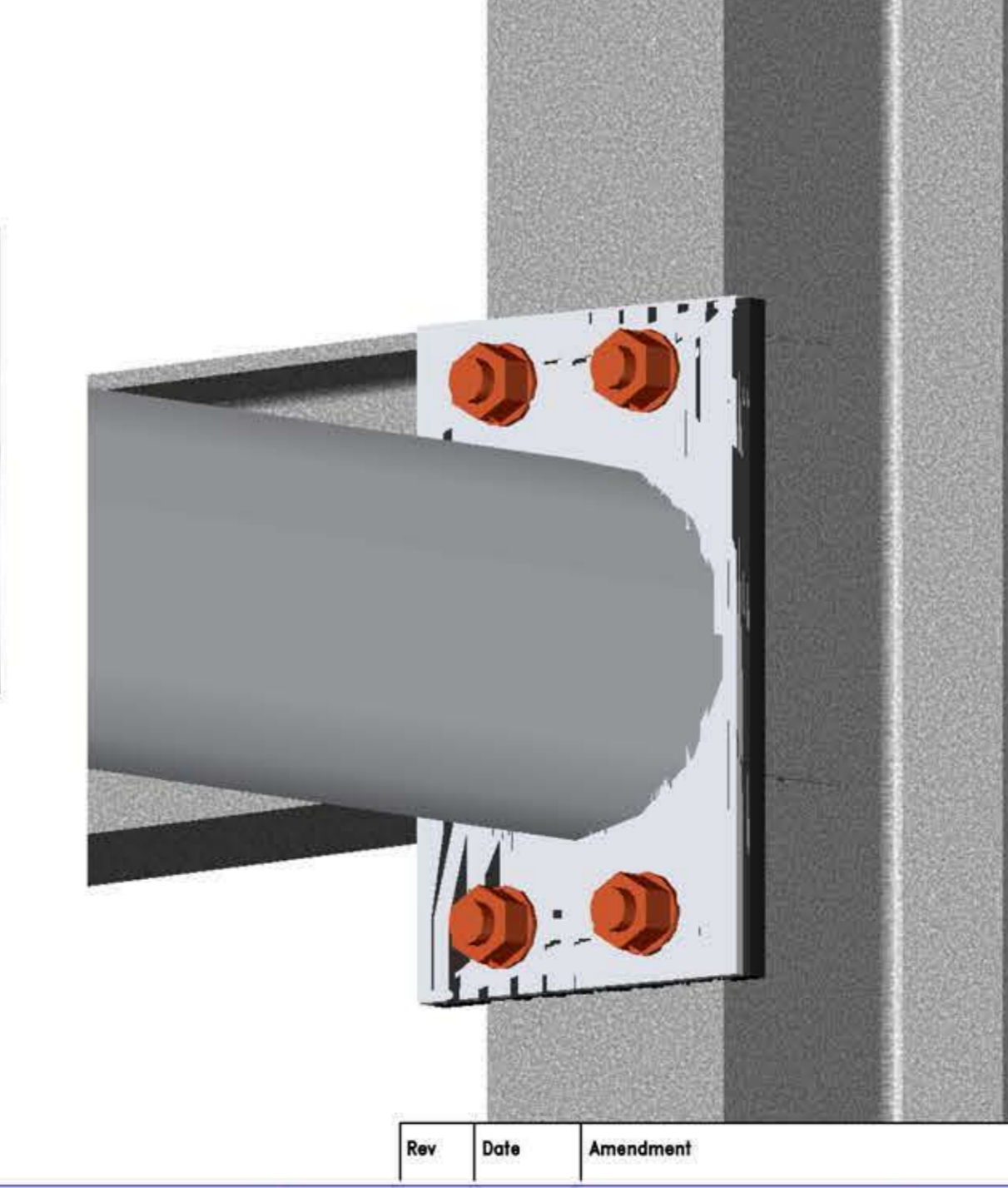
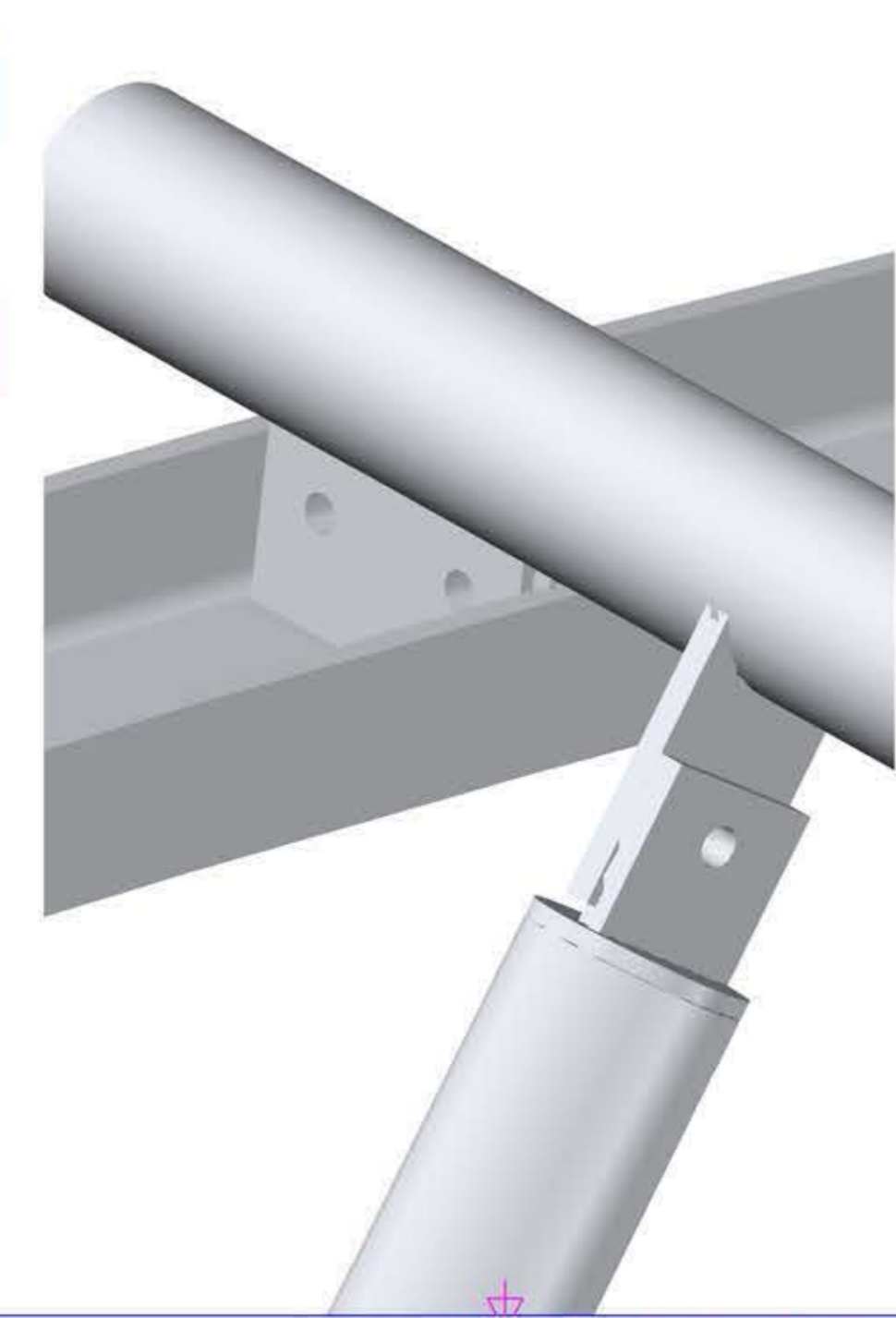
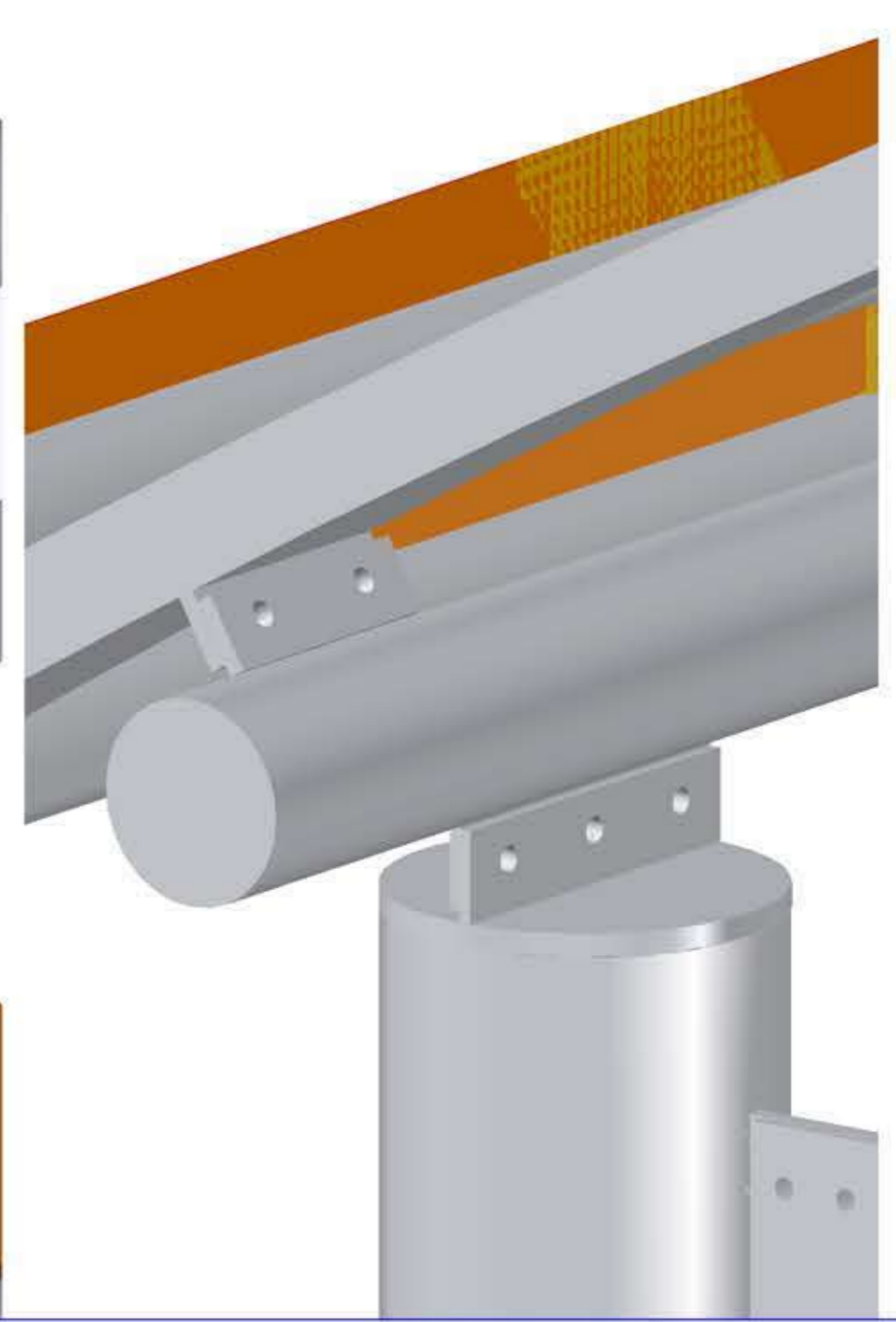
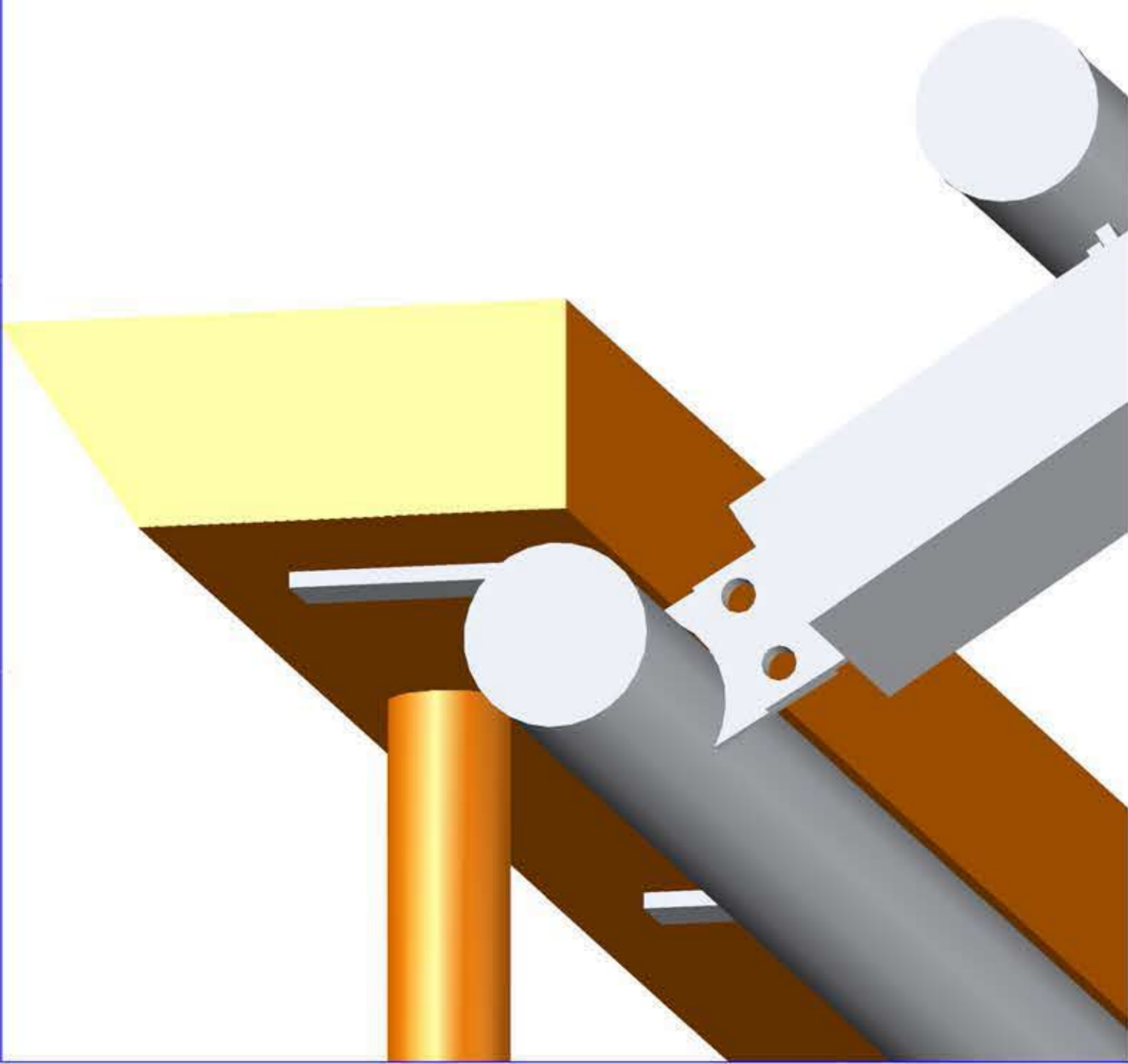
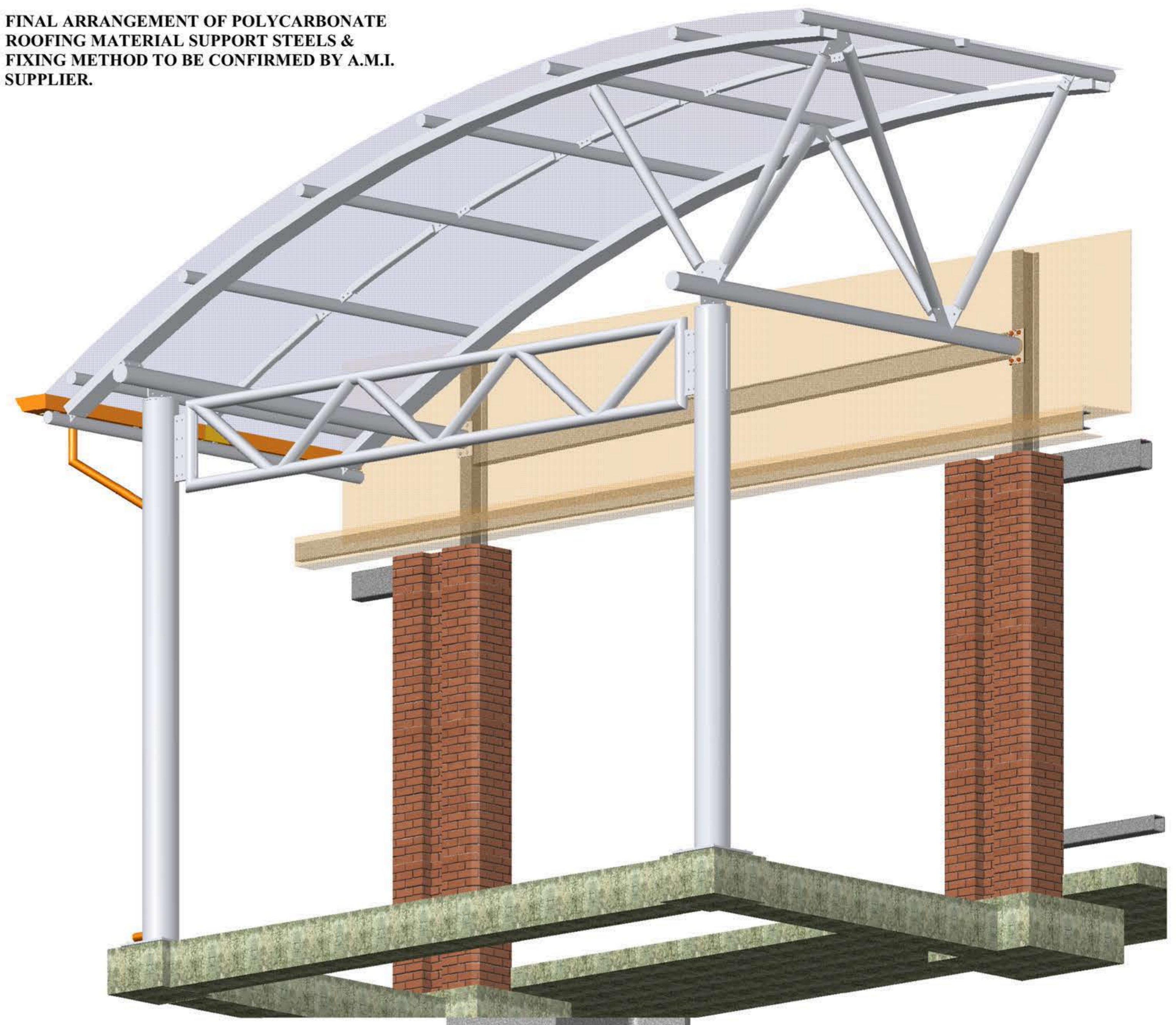
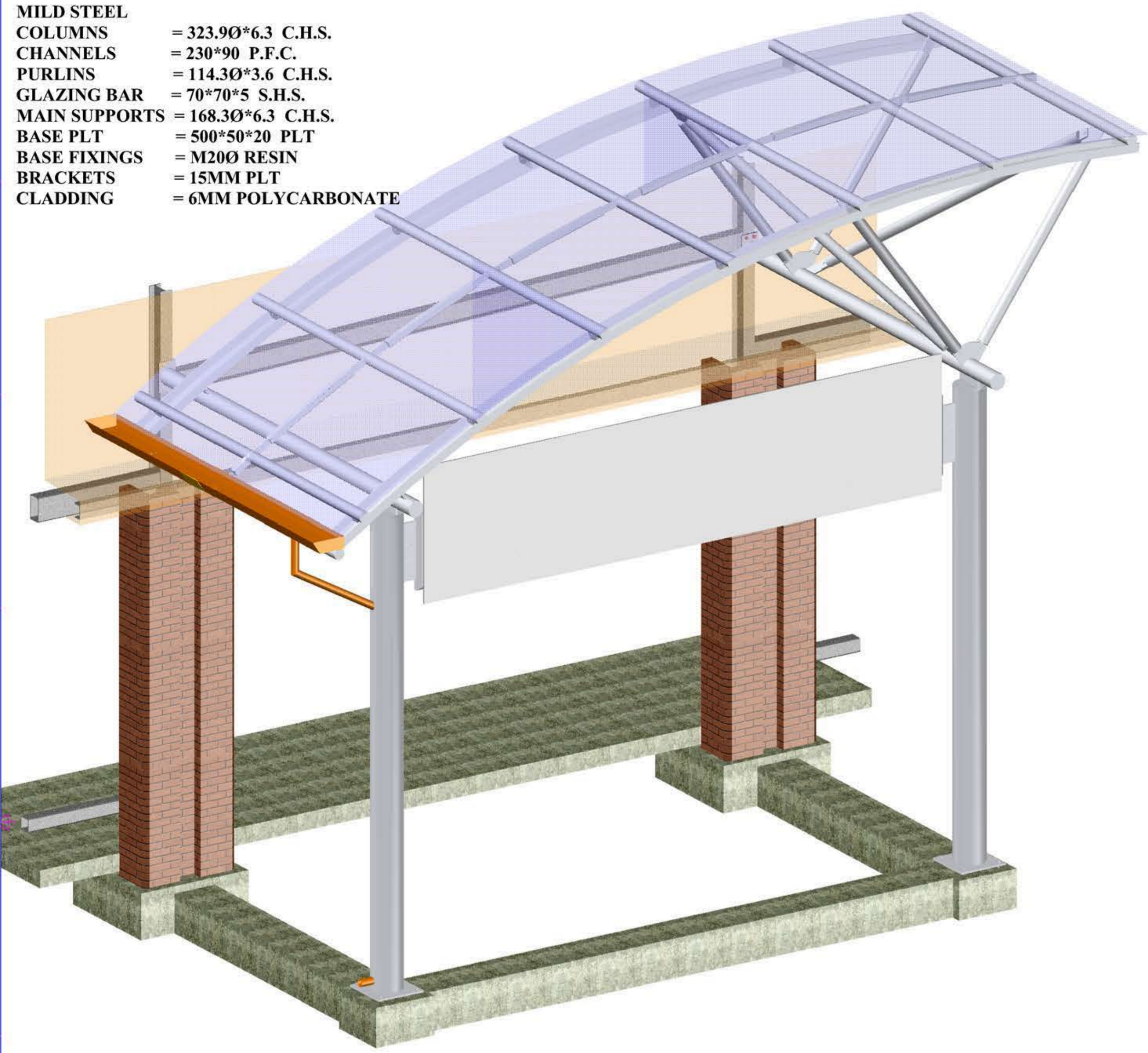


- MATERIALS**
- MILD STEEL
 - COLUMNS = 323.9Ø*6.3 C.H.S.
 - CHANNELS = 230*90 P.F.C.
 - PURLINS = 114.3Ø*3.6 C.H.S.
 - GLAZING BAR = 70*70*5 S.H.S.
 - MAIN SUPPORTS = 168.3Ø*6.3 C.H.S.
 - BASE PLT = 500*50*20 PLT
 - BASE FIXINGS = M20Ø RESIN
 - BRACKETS = 15MM PLT
 - CLADDING = 6MM POLYCARBONATE

FINAL ARRANGEMENT OF POLYCARBONATE ROOFING MATERIAL SUPPORT STEELS & FIXING METHOD TO BE CONFIRMED BY A.M.I. SUPPLIER.



A.M.I.
 Unit 12a, Hunter Park,
 Calywhite Lane,
 Dronfield, S18 2XP
 Tel: 01246 413378
 Fax: 01246 414494
 Email: info@ami-sheffield.co.uk

CLIENT HENRY BOOT CONSTRUCTION

PROJECT DRAKEHOUSE RETAIL PARK
 UNIT 18

DRAWING TITLE
 CANOPY DETAILS

DRAWN BY	CHECKED BY	DATE	SCALE
M.S		JUL 11	NTS

PROJECT No.	DRAWING No.	REV
	160711--101	C

Rev	Date	Amendment	Drawn	App